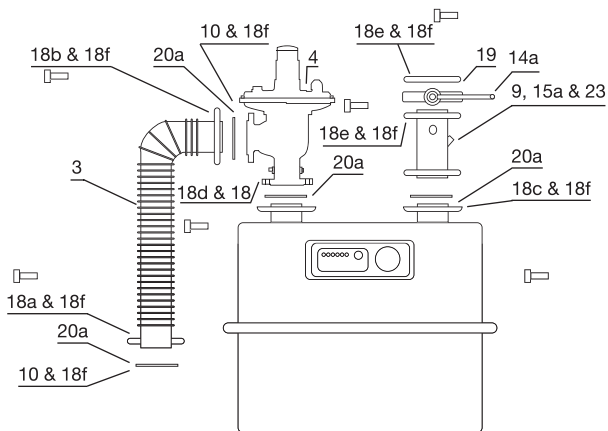


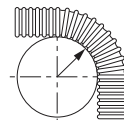
M9100-P U100 METER KIT



No	Description	Qty
3	80mm FLANGED BS4504 PN16 x 80mm BS4504 PN16 SWIVEL FLANGE 600mm LONG FLEXIBLE METALLIC CONNECTION	1
4	80mm FLANGED BS4504 PN16 ANGLED PATTERN REGULATOR C/W PRESSURE TEST POINTS ON INLET AND OUTLET	1
9	1/2" x 1/8" BS21 BUSH	1
10	M16 NUT TO BS3692 GRADE 8.0	16
14a	80mm BS4504 PN16 LUGGED WAFER BUTTERFLY VALVE	1
15a	80mm PN16 BS4504 SWIVEL FLANGE x 80mm PN16 FIXED FLANGE SPOOL PIECE COMPLETE WITH 1/2" & 3/4" BS21 WELDED SOCKETS MBT815 & MBT820 DRILLED PLUGS	1
18a	75mm x M16 BLACK BOLT TO BS3692 GRADE 8.8	8
18b	65mm x M16 BLACK BOLT TO BS3692 GRADE 8.8	8
18c	65mm x M16 SET SCREWS TO BS3692 GRADE 8.8	4
18d	50mm x M16 SET SCREWS TO BS3692 GRADE 8.8	4
18e	40mm x M16 SET SCREW TO BS3692 GRADE 8.8	16
18f	M16 WASHER TO BS3410	56
19	80mm BS4504 PN16 BLANK FLANGE	1
20a	80mm BS4504 PN16 HALF FACED GASKET 1.5mm TO BS 7531 GRADE Y	4
23	1/8" BS21 TEST POINT	1
25	STATUTORY LABELS	1

- To be fitted by trained competent personnel.
- The regulator unit is maintenance free with no user serviceable parts.
- The flexible hose must not be bent to a radius of less than:

Nominal Bore (mm):	20	25	32	50	80
Bend Radius (mm):	30	45	60	100	130



- The flexible hose is not suitable for multiple bending and may not be reused.

SPERRYN GAS CONTROLS

46-48 WILBURY WAY, HITCHIN, HERTFORDSHIRE, SG4 0UD
 TELEPHONE: +44 (0)1462 443 225
 FAX: +44 (0) 1462 443 311
 EMAIL: sperrynsales@cranebsu.com
www.sperryn.co.uk

Every effort has been made to ensure that the information contained in this publication is accurate at the time of publishing. Crane Ltd assumes no responsibility or liability for typographical errors or omissions or for any misinterpretation of the information within the publication and reserves the right to change without notice.

S_U100_0118
 IOM_L1467_V2