



APPLICATIONS

The G1000 is a reliable regulator suitable for a variety of applications. Suitable for manufactured, natural and LP gasses. The G1000 can be used on metering installations, commercial / industrial installations or OEM applications on burner or boiler trains.

The G1000 can be installed in both horizontal or vertical planes and can be specified as a dedicated angled pattern regulator with the appropriate meter connections.

The G1000 gives a high degree of accuracy across good capacities with a low-pressure loss. For venting or back loading of these regulators, a 1/4" threaded breather port can be machined.

PRESSURE

Maximum inlet pressure
350 mbar (5 psig)
Maximum outlet pressure
70 to 150 mbar (1.43 to 2.15 psig)

CONNECTIONS

The G1000 is supplied with BS21 (ISO 7), NPT threads or in the case of the 3" & 4" regulators PN16 flanges. Other threads and connections may be available on request.

CONTROL

A comprehensive range of springs are available, and the pressure is easily adjusted by turning the loading spring adjuster under the top cover. Unless requested the unit is set and sealed with wire.

REGULATOR SIZES

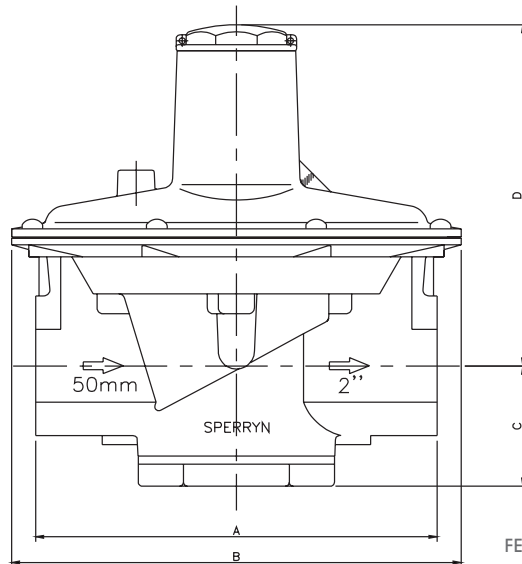
3/4", 1", 1.1/4", 1.1/2", 2", 3" & 4"

OPERATING CONDITIONS

Maximum operating temperature 70°C
Minimum operating temperature -20°C

SERVICING

The G1000 is designed for ease of servicing. A soft spares kit is available on request.



FEATURED ILLUSTRATION G1000 2"

DIMENSIONS

Size	A (mm)	B (mm)	C (mm)	D (mm)	Approx Weight (kg)
3/4" & 1" C	104	88	31	85	0.9
3/4" & 1"	126	132	35	124	1.0
1.1/4"	154	166	46	163	1.5
1.1/2"	154	166	46	163	1.5
2"	200	224	60	175	3.0
3"	312	380	84	372	20.0
4"	368	450	135	600	36.0

MATERIALS

Body and Top cover	Aluminium LM24
Valve bob and diaphragm plates	Acetal resin
Valve spindle	Aluminium (Steel on 3" model)
Diaphragms, valve seat, 'O' rings	Nitrile rubber (Buna N)
Spring	Carbon Steel

PERFORMANCE

Detailed performance characteristics are available on request.

QUALITY

As part of Sperry's continuous development policy, information given is subject to change and may have been updated. Please call for confirmation of data. Sperry are approved to ISO 9001 and are committed to Total Quality Assurance.

SPERRYN
GAS CONTROLS



46-48 WILBURY WAY, HITCHIN, HERTFORDSHIRE, SG4 0UD
 TELEPHONE: +44 (0)1462 443 225 FAX: +44 (0)1462 443225
 EMAIL: sperrysales@cranebsu.com
www.sperry.co.uk



You 

To visit our Video Library go to:
www.youtube.com/user/CraneBSU

Every effort has been made to ensure that the information contained in this publication is accurate at the time of publishing. Crane Ltd assumes no responsibility or liability for typographical errors or omissions or for any misinterpretation of the information within the publication and reserves the right to change without notice.

S_G1000_1016