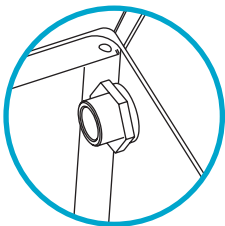
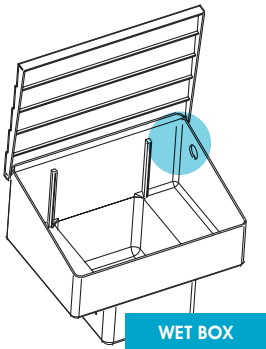


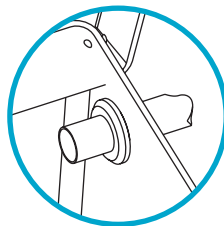
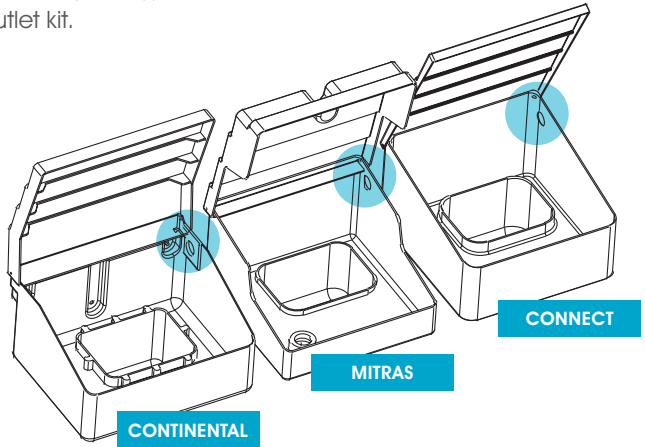
# Easy to fit Semi-Concealed Meter Box Connection Kits

## 1. IDENTIFICATION OF BOX & OUTLET KIT

Using the illustrations as a guide, identify the type of meter box, and select the corresponding outlet kit.

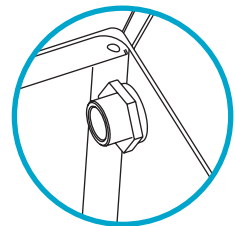


1" Bulkhead Fitting  
Ref: DKW104A



22mm Copper  
Compression  
Ref: DKW105A

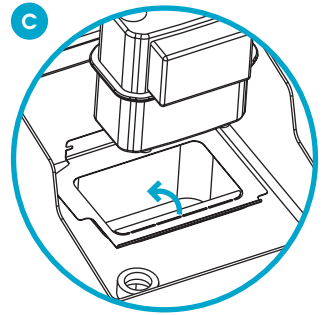
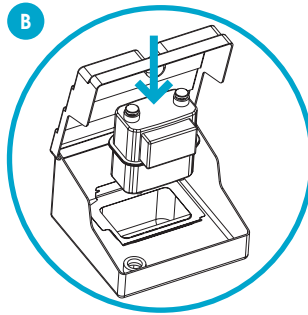
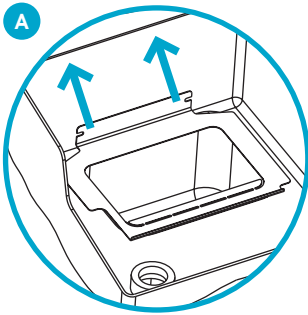
OR



3/4" Bulkhead F  
Ref: DKW106A

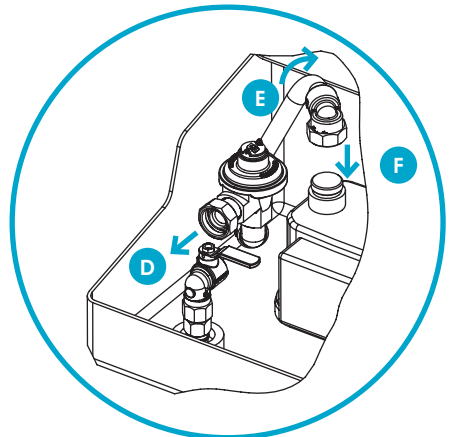
## 2. FITTING SUPPORT PLATE & METER BOX

- Orientate the support plate as shown, with the rear fixing plate upward facing, and slide **fully backward** to the rear of the meter box. Fix using 2-off self-tap screws to the rear as shown (A).
- Lower the meter box into position, through the plate (B).
- The front tab can be bent downward to provide more clearance if required (C).



## 3. FITTING OF INLET KIT

Connect the 1" BS746 nut with the 1" gasket, to the outlet of Emergency Control Valve (D). Manipulate the flexible hose (E) so that the other 1" nut & gasket, can be connected to the inlet side of the meter (F).



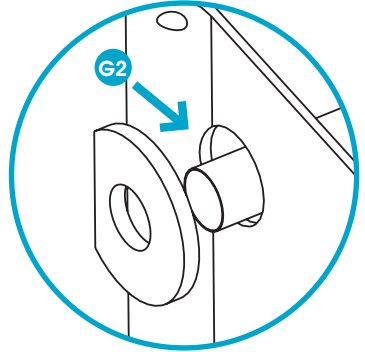
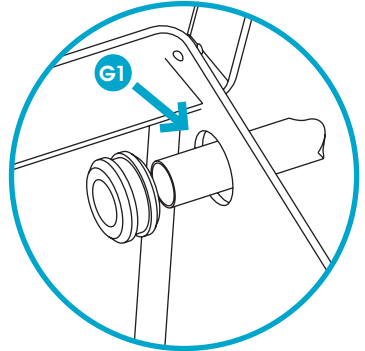
#### 4. FITTING OF OUTLET KIT DKW105A: 22mm Copper Compression Fitting

If piping exists then cleanly cut and deburr the end, leaving approx. 30mm inside the meter box. If piping is not present, then any new fitted pipe must be free from sharp edges. The rubber box adaptor must be lubricated to aid assembly, before fitting through the outlet port (G1).

If the entry piping is found to be visibly off-centre from the meter box entry hole, and cannot safely be moved toward the centre, then the rubber washer adaptor should be used to support the pipe. Ensure the end of the copper pipe is free from dirt, debris or sharp edges. Before attachment of the washer, ensure the surface is clean, dry and free from any debris. The rubber washer adaptor is supplied with a self-adhesive backing, which should be removed before offering the washer over the pipe. The washer can be gently slid over the pipe before pressing firmly onto the side of the meter box to secure.

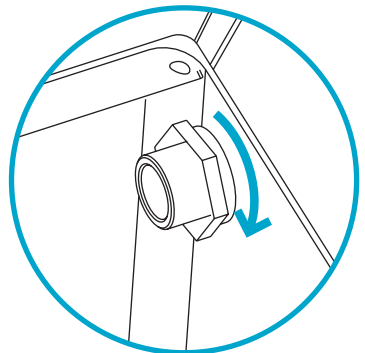
**Note:** On Continental (Dry) box ensure the flat side is facing the rear of the box as shown (G2).

Connect the 1" BS746 nut of the outlet kit, with a gasket, to the outlet of the meter. Manipulate the flexible hose, to enable connection of 22mm compression joint. Ensure the copper pipe is fully inserted into the joint before tightening the nut.

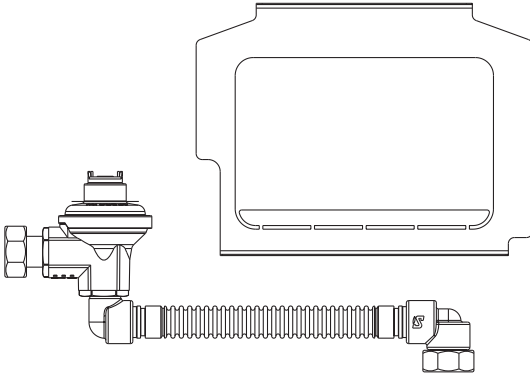


#### 5 - FITTING OF OUTLET KIT DKW104A & DKW106A: 1" or 3/4" BS746 Flexible Hose & Bulkhead Adaptor

Connect the 1" BS746 nut and gasket to the outlet of the meter. Manipulate the flexible hose to connect the 1" (or 3/4") BS746 nut & corresponding gasket to the bulkhead fitting on the outlet of the meter box (H).

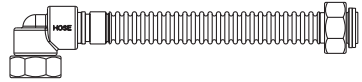


## KIT OVERVIEW



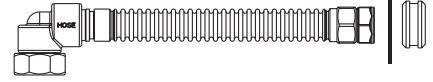
### Inlet Kit: DKW103AA

Inlet kit for all box types using a G4 type meter



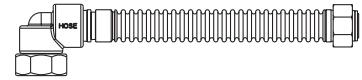
### Outlet Kit: DKW104A

1" BS746 Outlet kit for a Wet Box



### Outlet Kit: DKW105A

22mm Copper compression kit for a Dry Box



### Outlet Kit: DKW106A

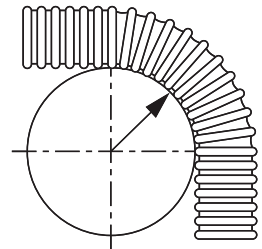
3/4" BS746 Outlet kit for a Dry Box

## Hose Bend Radius

To be fitted by trained competent personnel.

- The regulator unit is maintenance free with no user serviceable parts.
- The flexible hose must not be bent to a radius of less than:

| Nominal Bore (mm): | Bend Radius (mm): |
|--------------------|-------------------|
| 20                 | 30                |



- The flexible hose is not suitable for multiple bending and may not be reused.

### IMPORTANT:

Please ensure that after manipulating the flexible hoses that the lid can be closed fully using the locking key. Also ensure that all parts are aligned before tightening.

This Sperryn regulator meter kit is tested in accordance with PRS/41.

### NOTE TO METER INSTALLER AFTER COMPLETION:

A gas tightness test **MUST** still be carried out by the Meter Installer on complete Meter installation.



46-48 WILBURY WAY, HITCHIN,  
HERTFORDSHIRE, SG4 0UD  
TELEPHONE: +44 (0)1462 443 225

FAX: +44 (0) 1462 443 311  
EMAIL: [sperrynsales@cranebsu.com](mailto:sperrynsales@cranebsu.com)  
[www.sperryn.co.uk](http://www.sperryn.co.uk)

Every effort has been made to ensure that the information contained in this publication is accurate at the time of publishing. Crane Ltd assumes no responsibility or liability for typographical errors or omissions or for any misinterpretation of the information within the publication and reserves the right to change without notice.

SI\_SCMB\_0818  
KOM\_INST-1545\_Y2