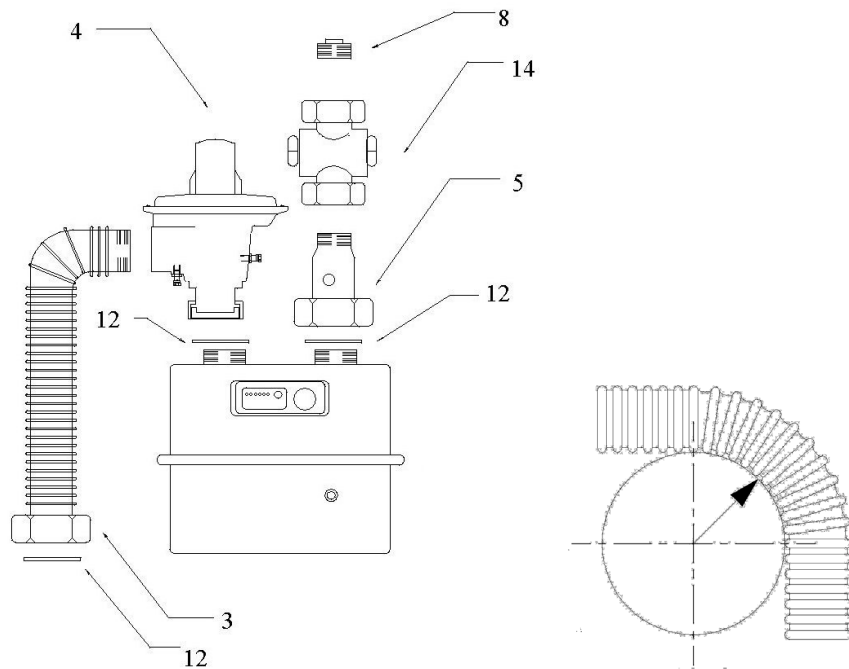


# M940-P U40 METER KIT



Item	Description	Qty
3	2" BS21 MALES x BS746 580mm LONG FLEXIBLE METALLIC CONNECTION	1
4	2" BS21 FEMALE x 2" BS746 OUTLET ANGLED PATTERN REGULATOR C/W PRESSURE TEST POINTS ON INLET AND OUTLET	1
5	2" BS21 MALE x 2" BS746 NUT AND LINER COMPLETE WITH 1/2" WELDED SOCKET AND MBT815 DRILLED PLUG	1
8	2" BS21 PLUG	1
12	2" BS746 WASHER	3
14	2" BS21 BALL VALVE FEMALE / FEMALE (TO BS1552 OR BS EN331)	1
25	STATUTORY LABELS	1

- To be fitted by trained competent personnel.
- The meter kit should be visually inspected prior to installing for defects/faults.
- It is recommended that the regulator is mounted in the upright position where possible; however, it may be used in other orientations.
- The regulator unit is maintenance free with no user serviceable parts.
- The flexible hose must not be bent to a radius of less than:

Nominal Bore (mm)	20	25	32	50	80
Nominal Bore (mm)	30	45	60	100	130

- The flexible hose is not suitable for multiple bending and may not be reused.

**SPERRYN**  
**GAS CONTROLS**



46-48 WILBURY WAY, HITCHIN,  
HERTFORDSHIRE, SG4 0UD  
TELEPHONE: +44 (0)1462 443 225

FAX: +44 (0) 1462 443 311  
EMAIL: [sperrynsales@cranebsu.com](mailto:sperrynsales@cranebsu.com)  
[www.sperryn.co.uk](http://www.sperryn.co.uk)

Every effort has been made to ensure that the information contained in this publication is accurate at the time of publishing. Crane Ltd assumes no responsibility or liability for typographical errors or omissions or for any misinterpretation of the information within the publication and reserves the right to change without notice.