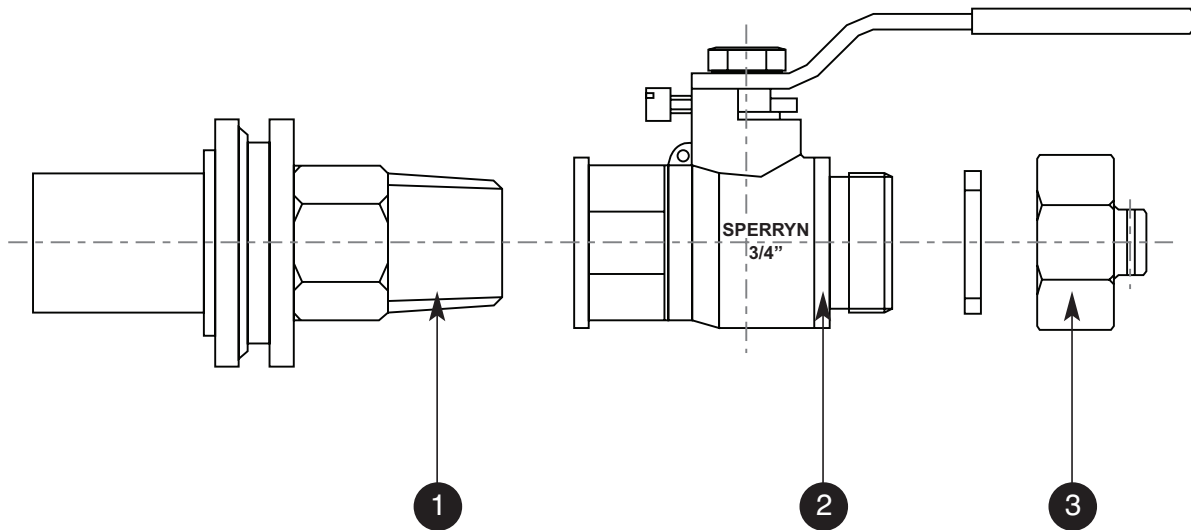


# DKW 22-C KIT STANDARD INSTALLATION KIT



Item	Name	Description	Qty
1	AJ0012	METER FITTING WASK	1
2	F8325KS/K	3/4" BALL VALVE BS21 x BS746	1
3	5659KSW	SEALING CAP 3/4" + 3/4" RUBBER WASHER TO SUIT	1



46-48 WILBURY WAY, HITCHIN,  
HERTFORDSHIRE, SG4 0UD  
TELEPHONE: +44 (0)1462 443 225

FAX: +44 (0) 1462 443 311  
EMAIL: sperrysales@cranebsu.com  
[www.sperryn.co.uk](http://www.sperryn.co.uk)

Every effort has been made to ensure that the information contained in this publication is accurate at the time of publishing. Crane Ltd assumes no responsibility or liability for typographical errors or omissions or for any misinterpretation of the information within the publication and reserves the right to change without notice.

S\_DKW22\_0616  
IOM\_1241\_v4