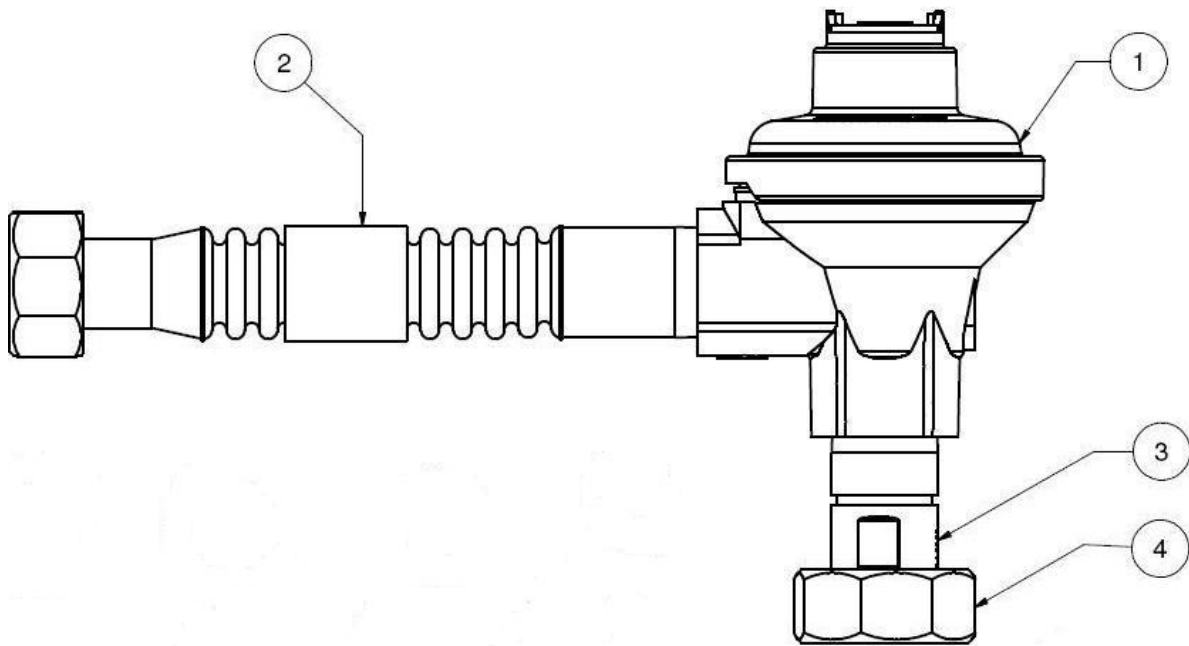


DKW67A KIT - KIT CONTENTS

2ND STAGE RECESSED METER INSTALLATION KIT



Item	Name	Description	Qty
1	G940CK22CZ10/K	Rc 3/4" X Rc 3/4" GAS REGULATOR	1
2	4065KS/400	METER HOSE 3/4" BS746 X 3/4" BS21 400MM LONG	1
3	X8380	1" X 3/4" METER UNION ADAPTOR	1
4	X6533	CAPTIVATED NUT 1" BS746	1

This Sperryn regulator meter kit is tested in accordance with PRS41.
Note to meter installer upon completion of install: A gas tightness test MUST still be carried out by the Meter Installer on the complete Meter installation.



46-48 WILBURY WAY, HITCHIN,
 HERTFORDSHIRE, SG4 0UD
 TELEPHONE: +44 (0)1462 443 225

FAX: +44 (0) 1462 443 311
 EMAIL: sperrynsales@cranebsu.com
www.sperryn.co.uk

Every effort has been made to ensure that the information contained in this publication is accurate at the time of publishing. Crane Ltd assumes no responsibility or liability for typographical errors or omissions or for any misinterpretation of the information within the publication and reserves the right to change without notice.

S_DKW67A_0516
IOM_1493_v2