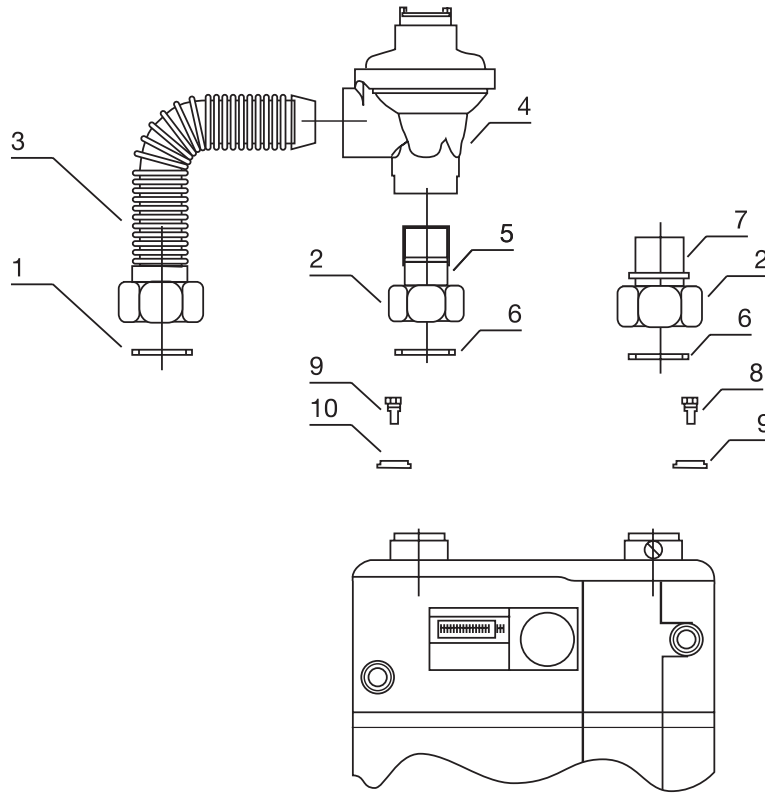


# DKW 43A

## KIT CONTENTS



No.	Part No.	Description	QTY
1	X9267	3/4" Meter Union Washer	1
2	X6533	1" BS746 Meter Union Nut	2
3	4065KS/400	Flexible Hose 400mm Long 1" BS746 x 3/4" BSP to BS21	1
4	G940K22CZ1/K	3/4" BSP x 3/4" BSP Service Governor	1
5	X8379	3/4" BS746 Meter Union Liner	1
6	X4301	1" Meter Union Washer	2
7	X8380	1" BS746 Meter Union Liner	1
8	5761OS	M5 Shear Bolts	2
9	5762OS	M5 Shear Washers	2

- If a liner (Item 5) is used in the unit, ensure that the appropriate washers (Item 1) are present.
- In accordance with Gas Regulations, the final installation must be installed and tested by a competent person.
- The kit should be visually inspected prior to installing for defects/faults.



46-48 WILBURY WAY, HITCHIN,  
HERTFORDSHIRE, SG4 0UD  
TELEPHONE: +44 (0)1462 443 225

FAX: +44 (0) 1462 443 127  
EMAIL: [sperrynsales@cranebsu.com](mailto:sperrynsales@cranebsu.com)  
[www.sperryn.co.uk](http://www.sperryn.co.uk)

Every effort has been made to ensure that the information contained in this publication is accurate at the time of publishing. Crane Ltd assumes no responsibility or liability for typographical errors or omissions or for any misinterpretation of the information within the publication and reserves the right to change without notice.

S\_DKW43A\_1016  
IOM\_1455