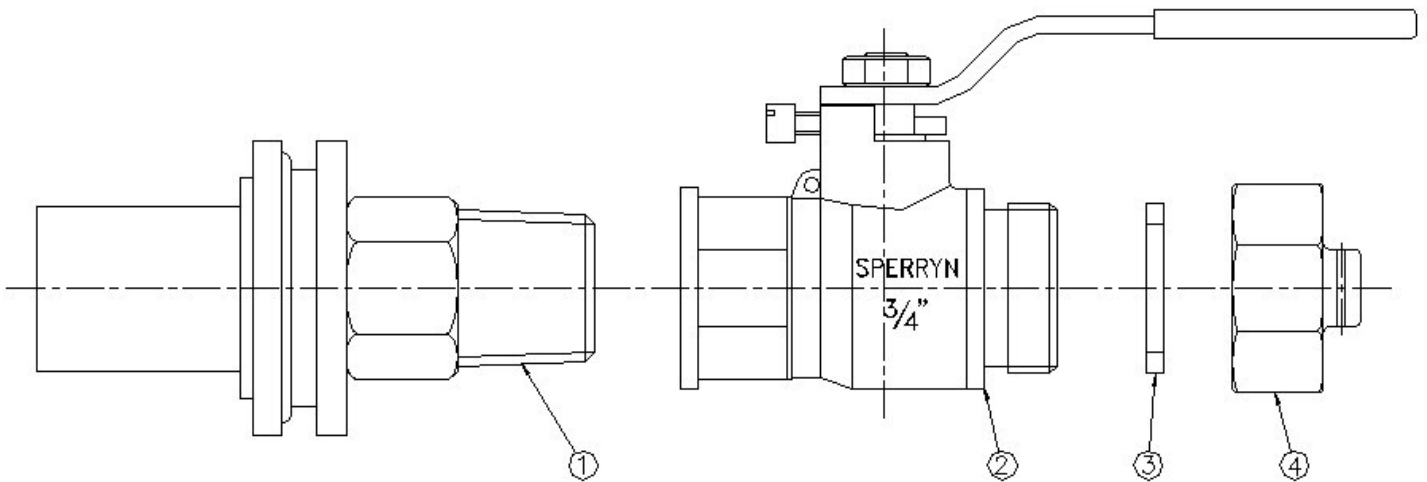


DKW 108-C Kit

1st Stage Installation Kit Unibox



No.	Part No.	Description	QTY
1	AJ0013	WASK 25mm Semi-Con MBA	1
2	F8325KS/K	3/4" Ball Valve BS21 x BS746	1
3	X4427	3/4" Rubber Washer To Suit	1
4	5659KS	Sealing Cap 3/4"	1
5	LABEL-TD4	TD4 Label (Not Shown)	1
6	SMKIT-0016	Cable Tie 2.5 x 165 (Not Shown)	1

Spares can be purchased from Crane BS&U.

SPERRYN
GAS CONTROLS



46-48 WILBURY WAY, HITCHIN,
HERTFORDSHIRE, SG4 0UD
TELEPHONE: +44 (0)1462 443 225

FAX: +44 (0) 1462 443 127
EMAIL: sperrysales@cranebsu.com
www.sperryn.co.uk

Every effort has been made to ensure that the information contained in this publication is accurate at the time of publishing. Crane Ltd assumes no responsibility or liability for typographical errors or omissions or for any misinterpretation of the information within the publication and reserves the right to change without notice.

S_DKW108_0517
IOM_1538_v1