

1" BALL
TYPE ECV
AVAILABLE
NOW

SPERRYN
GAS CONTROLS 

Fire Proof Emergency Control Valves

- Fire resistant & BSI kitemark certified
- Proven quality & reliability
- Robust design for long service life
- Maintenance free
- Light weight & compact



GIS/V7-3
KM 524821

MAINS TO METER GAS SOLUTIONS

Features & Benefits

Sperryn, a leading utilities brand of Crane Building Services & Utilities, is a well established manufacturer of gas controls, including regulators, ball valves and meter kits. Together with it's sister brand, WASK, Sperryn is a market leading supplier of 'Mains to Meter' Gas solutions.

Sperryn's proven range of Fire Proof Emergency Control Valves have been used by the gas distribution network for over 15 years - a testament to it's quality and reliability. They are designed to be maintenance free, giving customer complete peace of mind.



01: Recessed line indicating On/Off position, even if the handle is removed



02: Locking Screw: enables valve to be secured in closed position only

03: Heavy wall thickness with inlet integral to main body: Robust during installation and product life.



09: Valve Stop Mechanism independent of the handle: Enables isolation without handle

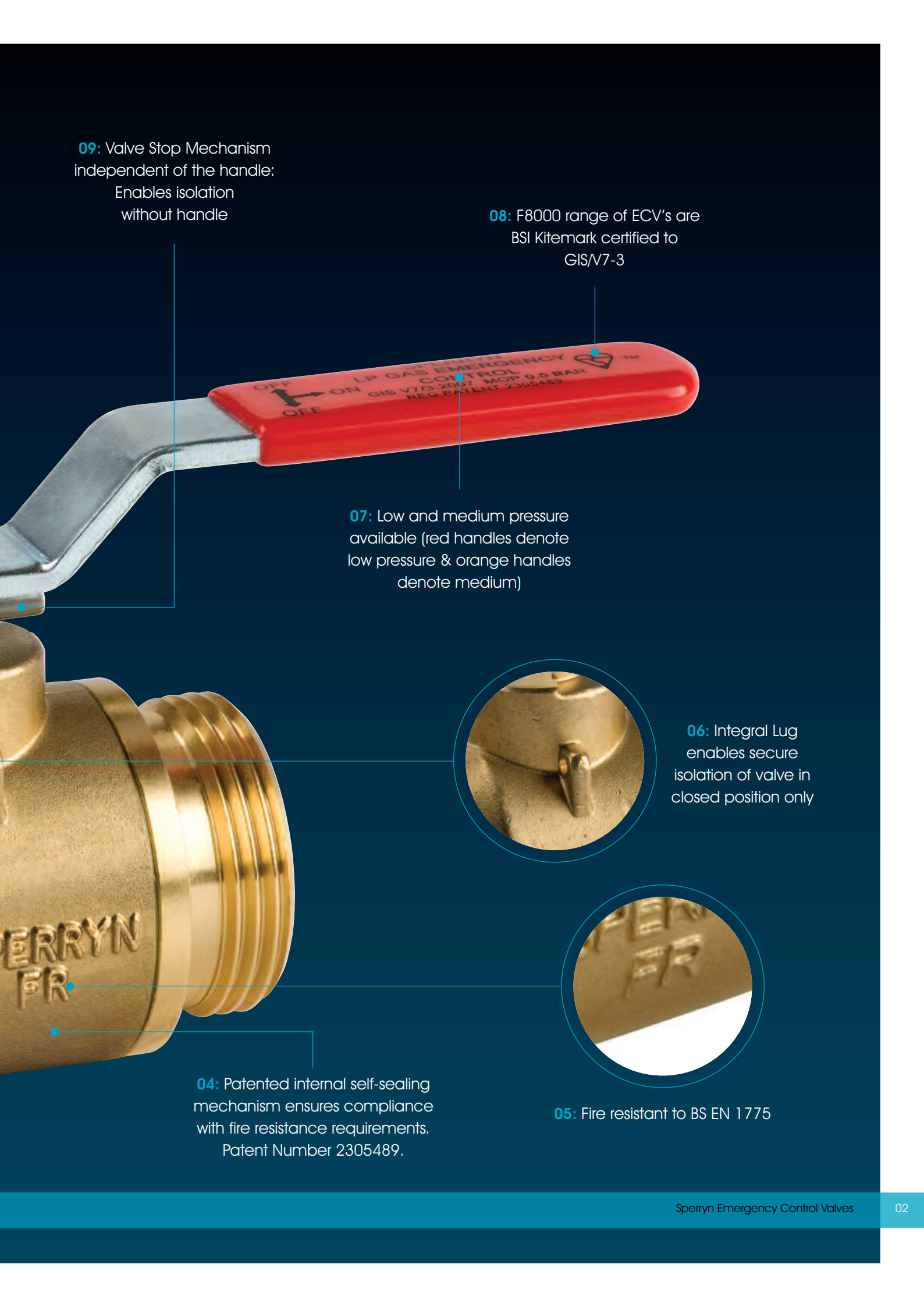
08: F8000 range of ECV's are BSI Kitemark certified to GIS/V7-3

07: Low and medium pressure available (red handles denote low pressure & orange handles denote medium)

06: Integral Lug enables secure isolation of valve in closed position only

04: Patented internal self-sealing mechanism ensures compliance with fire resistance requirements. Patent Number 2305489.

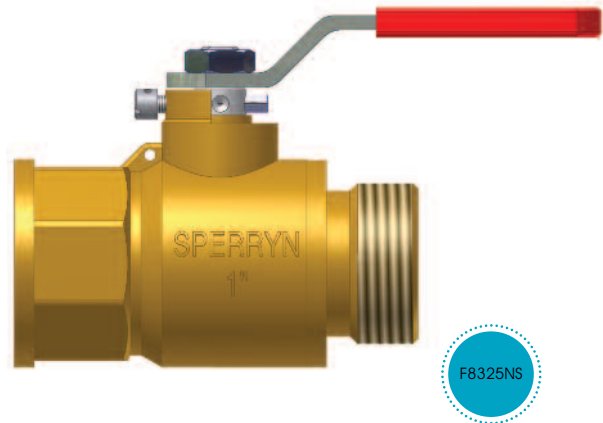
05: Fire resistant to BS EN 1775



Fire Proof Emergency Control Valve - 1"

FEATURES AND BENEFITS

- BSI Kitemark Certified
- Fire Resistant - The valves are independently certified and conform to GIS/V7-3
- Maintenance Free - The unit remains sealed throughout its operable life, reducing whole life cycle costs
- Lighter unit weight saves on transportation costs and reduces the carbon footprint
- Compact size envelope
- Independent Valve Stop Mechanism - Ensures the valve is safe if the handle is removed
- Integral Lug and Locking Screw - Enables secure isolation of the valve in close position only, even if the handle is removed
- Proven Track Record - The valves have a well established capability for long-term operation



SPECIFICATIONS

PART NUMBER	TYPE	INLET CONNECTION	OUTLET CONNECTION	MOP
F8325NS	Straight	1" Female BSP Taper	1" Male BS746	500 mbar

MATERIALS

COMPONENT	MATERIAL
Body	Brass
End Fittings	Brass
O' Rings	Nitrile
Ball	Brass Chrome Plated
Handle	Zinc Plated Steel
Seals	PTFE

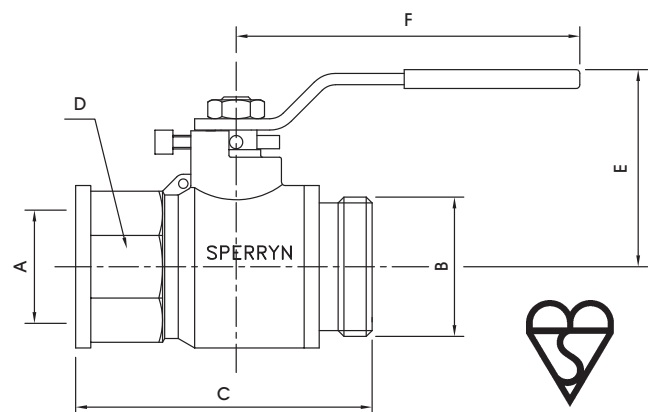
PERFORMANCE

OPERATING TEMPERATURE	-20°C to +60°C
OPERATING TORQUE'S	0.5 to 3.5 Nm
WORKING PRESSURE	500 mbar
ENDURANCE	2500 cycles

DIMENSIONS

PART NUMBER	DIMENSIONS						WEIGHT
	A	B	C	D	E	F	
F8325NS	1"	1"	78.5	40	51	90	610

DIMENSIONAL DRAWING

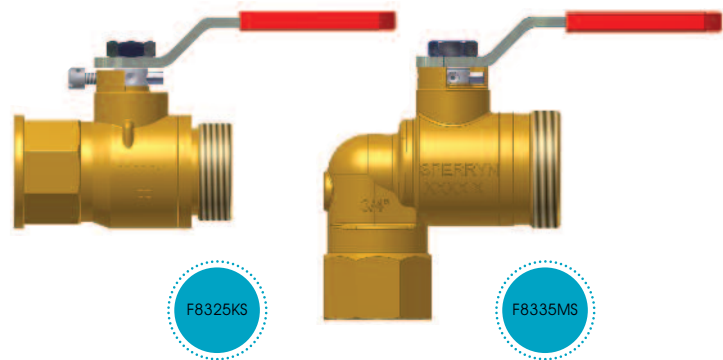


GIS/V7-3
KM 524821

Ball Type Fire Proof Emergency Control Valves

FEATURES AND BENEFITS

- BSI Kitemark Certified
- Fire Resistant - The valves are independently certified and conform to GIS/V7-3
- Patented internal self-sealing mechanism ensures compliance with fire resistance requirements
- Maintenance Free - The unit remains sealed throughout its operable life
- Wide pressure range: Low pressure maximum operating pressure: 500mbar, Medium pressure maximum operating pressure: 5 bar
- Independent Valve Stop Mechanism - Ensures the valve is safe if the handle is removed
- Integral Lug and Locking Screw - Enables secure isolation of valve in closed position only even if handle is removed
- Proven Track Record - The valves have a well established capability for long-term operation



SPECIFICATIONS

PART NUMBER	TYPE	INLET CONNECTION	OUTLET CONNECTION	MOP
F8310KS	Straight	3/4" Female BSP Taper	3/4" Female BSP Taper	500 mbar
F8310NS	Straight	1" Female BSP Taper	1" Female BSP Taper	500 mbar
F8312KS	Straight	3/4" Female BSP Taper	3/4" Male BSP Taper	500 mbar
F8325KS	Straight	3/4" Female BSP Taper	3/4" Male BS746	500 mbar
F8325MS	Straight	1" Female BSP Taper	3/4" Male BS746	500 mbar
F8329KN	Straight	3/4" Female BSP Taper	3/4" Rc Inverted Cone (60 degrees)	5 bar
F8329KS	Straight	3/4" Female BSP Taper	3/4" Rc Inverted Cone (60 degrees)	5 bar
F8329MS	Straight	1" Female BSP Taper	3/4" Rc Inverted Cone (60 degrees)	5 bar
F8335MS	Angled	3/4" Female BSP Parallel	1" Male BS746	500 mbar
F8339KS	Angled	3/4" Female BSP Taper	3/4" Rc Inverted Cone (60 degrees)	5 bar

MATERIALS

COMPONENT	MATERIAL
Body	Brass
End Fittings	Brass
O Rings	Nitrile
Ball	Brass Chrome Plated
Handle	Zinc Plated Steel
Seals	PTFE

PERFORMANCE

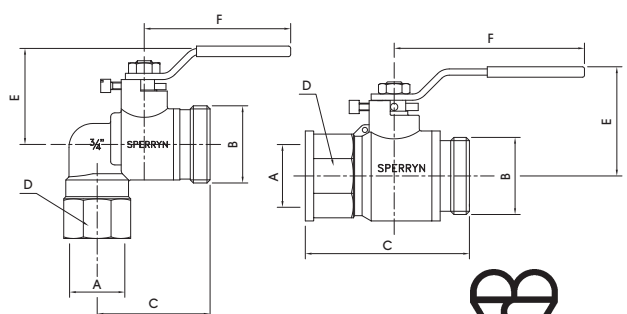
OPERATING TEMPERATURE	-20 °C to +60 °C
OPERATING TORQUE'S	0.5 to 3.5 Nm
WORKING PRESSURE	(LP)500 mbar
	(MP)5 bar
ENDURANCE	2500 cycles

DIMENSIONS & WEIGHTS

PART NUMBER	DIMENSIONS						WEIGHT
	A	B	C	D	E	F	
F8310KS	3/4"	3/4"	71.5	31	45.5	90	350
F8310NS	1"	1"	86	40	51	90	635
F8312KS	3/4"	3/4"	73.5	31	45.5	90	330
F8325KS	3/4"	3/4"	65	31	45.5	90	330
F8325MS	1"	3/4"	70	40	45.5	90	395
F8329KN	3/4"	3/4"	68	31	45.5	90	325
F8329KS	3/4"	3/4"	68	31	45.5	90	325
F8329MS	1"	3/4"	73	40	45.5	90	395
F8335MS*	3/4"	1"	54.5	31	45.5	68	435
F8339KS*	3/4"	3/4"	55.5	31	45.5	68	405

*Angled version only

DIMENSIONAL DRAWINGS



GIS/V7-3
KM 524821



To visit our Video Library go to:
www.youtube.com/user/CraneBSU



SPERRYN GAS CONTROLS

DELTA ROAD, ST HELENS, WA9 2ED
TELEPHONE: +44 (0)1744 611 819
FAX: +44 (0)1744 26791
EMAIL: sperrynsales@cranebsu.com

www.sperryn.co.uk



ISO 9001-2000
Reg No. Q5975

- Designed and manufactured under quality management systems in accordance with BS EN ISO 9001-2008

Every effort has been made to ensure that the information contained in this publication is accurate at the time of publishing. Sperryn assumes no responsibility or liability for typographical errors or omissions or for any misinterpretation of the information within this publication and reserves the right to change without notice. We hope that our communications have an impact on you, but not on the environment. We have taken steps to ensure this leaflet is printed on FSC material and the paper is made by a totally chlorine free process

S_ECV_0113