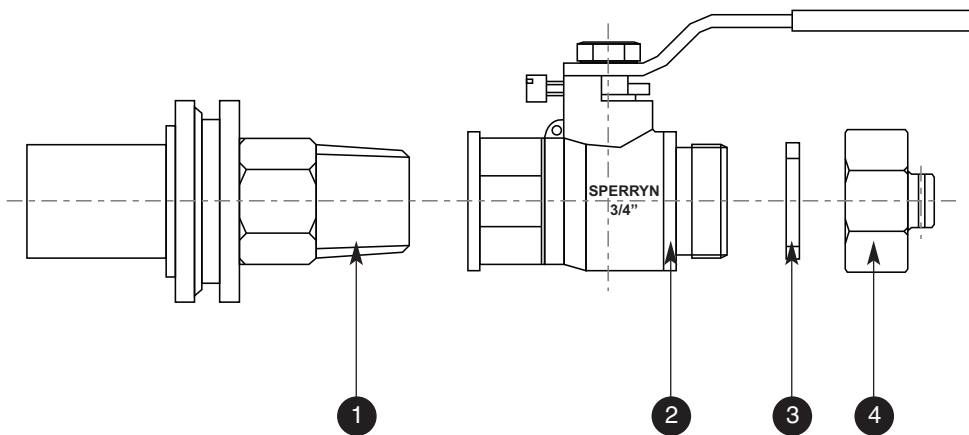


DKW 22 KIT STANDARD INSTALLATION KIT



Item	Name	Description	Qty
1	775063533	METER FITTING DRAWLOCK	1
2	F8325KS/K	3/4" BALL VALVE BS21 x BS746	1
3	X4427	3/4" RUBBER WASHER TO SUIT	1
4	5659KS	SEALING CAP 3/4"	1



DELTA ROAD
ST HELENS, WA9 2ED
TELEPHONE: +44 (0)1744 611 819

FAX: +44 (0)1744 26791
EMAIL: sperrynsales@cranebsu.com
www.sperryn.co.uk

Every effort has been made to ensure that the information contained in this publication is accurate at the time of publishing. Crane Ltd assumes no responsibility or liability for typographical errors or omissions or for any misinterpretation of the information within the publication and reserves the right to change without notice.

S_DKW22_0511
IOM_INST-1286_v4