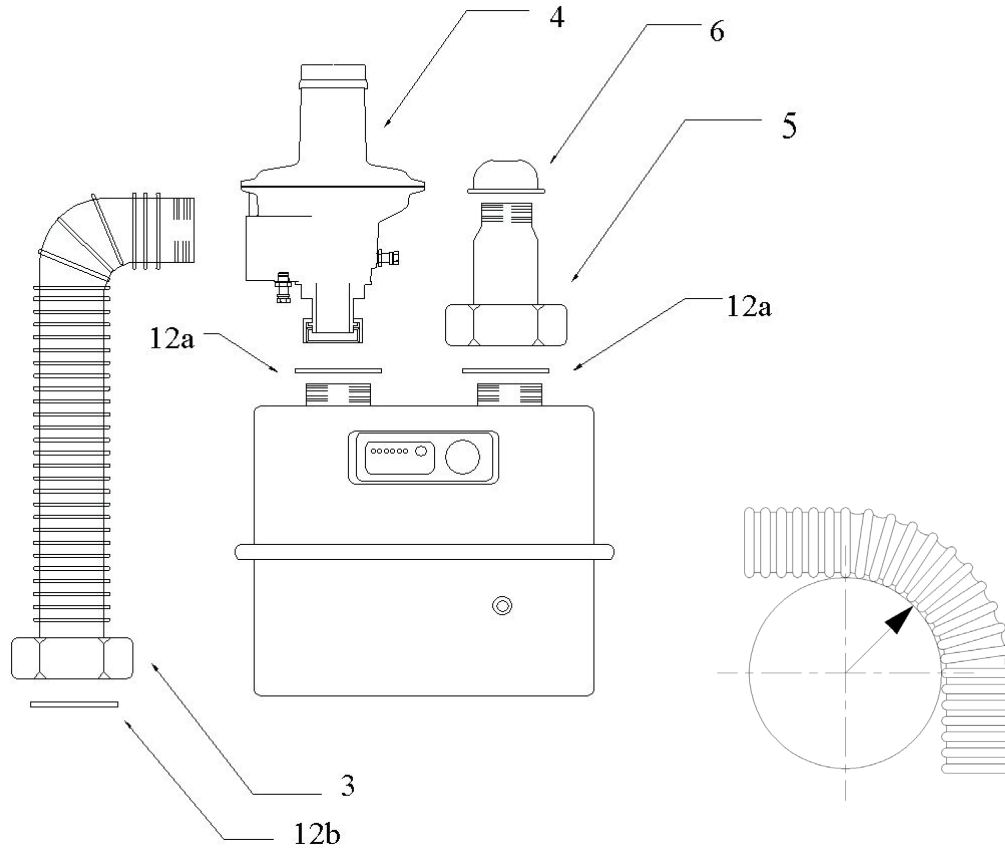


INSTALLATION AND OPERATING INSTRUCTIONS

M916-P U16 METER KIT



No.	Description	Qty
3	1.1/4" BS21 M x 1.1/2" BS746 495mm LONG FLEXIBLE METALLIC CONNECTION	1
4	1.1/4" BS21 F x 1.1/4" BS746 OUTLET ANGLED PATTERN REGULATOR C/W PRESSURE TEST POINTS ON INLET AND OUTLET.	1
5	1" BS21 MALE x 1.1/4" BS746 LINER WITH CAPTIVE NUT	1
6	1" BS21 CAP	1
12a	1.1/4" BS746 WASHER	2
12b	1.1/2" BS746 WASHER	1
25	STATUTORY LABELS	1

- To be fitted by trained competent personnel.
- It is recommended that the regulator is mounted in the upright position where possible; however, it may be used in other orientations.
- The regulator unit is maintenance free with no user serviceable parts.
- The flexible hose must not be bent to a radius of less than:

Nominal Bore (mm):	20	25	32	50	80
Bend Radius (mm):	30	45	60	100	130
- The flexible hose is not suitable for multiple bending and may not be reused.



DELTA ROAD,
ST HELENS, WA9 2ED
TELEPHONE: +44 (0)1744 611 819

FAX: +44 (0)1744 26791
EMAIL: sales@sperryn.co.uk
www.sperryn.co.uk

The Company reserve the right to amend any product without notice.

S_M916-P_U16_08_2009
1418_v5

CRANE BUILDING SERVICES & UTILITIES

www.cranesbu.com