

Domestic Meter Installation Kit

Installation Instructions

- To be fitted by trained competent personnel.
- It is recommended that the regulator is mounted in the upright position where possible.
- The regulator unit is maintenance free with no user serviceable parts.
- The flexible hose must not be bent to a radius of less than (see figure 1 and table below):

| | | | | | |
|--------------------|----|----|----|-----|-----|
| Nominal Bore (mm): | 20 | 25 | 32 | 50 | 80 |
| Bend Radius (mm): | 30 | 45 | 60 | 100 | 130 |

- The flexible hose is not suitable for multiple bending and may not be reused.
- **Where appropriate, clean and prepare pipe work with a suitable and approved gas jointing paste (PTFE tape is not recommended).**
- Mount unit in position, do not over tighten threads.
- If a liner is used in the unit, ensure that the appropriate washers are present.
- The kit should be visually inspected prior to installing for defects/faults.
- Installation **must** be tested for leaks on completion by a competent person.
 - A recommended pressure for the leak test is 75mbar
 - Do not exceed working limit of 350mbar.

Commissioning Instructions

The regulator is factory adjusted to the required outlet pressure.

- Ensure downstream pipe work is shut off.
- Slowly open the inlet isolation valve.
- Purge downstream pipe work.
- Check the pressure at the outlet of the meter:
 - The approximate outlet pressure should be observed when an appliance is operating.
 - Suggest 4 hot-plate burners to test outlet pressure.
- If the outlet pressure requires further adjustment:
 1. Break seal and remove the plastic cap from the top of the regulator.
 2. Adjust screw slot
 - 2.1. Clockwise for increase in pressure.
 - 2.2. Anti-clockwise for decrease in pressure.
 3. Re-apply plastic cap onto the top of the regulator and reseal.

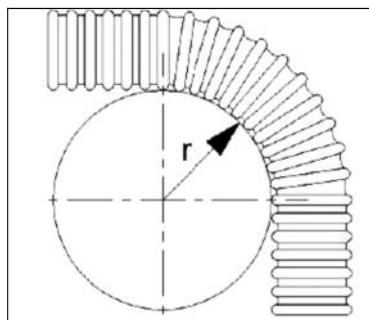


Figure 1 showing Minimum bend radius, r

SPERRYN
GAS CONTROLS 

DELTA ROAD,
ST HELENS, WA9 2ED
TELEPHONE: +44 (0)1744 611 819

FAX: +44 (0)1744 26791
EMAIL: sperrynsales@cranebsu.com
www.sperryn.co.uk

The Company reserve the right to amend any product without notice.

S-DMI-0809
IOM 0125_V9

CRANE

BUILDING SERVICES & UTILITIES

www.cranebus.com